

Engineering
Lifestyles

CUSTOMISED RAILING SOLUTIONS



ANIL MODI
C.E.O

AGM Fab is a premier, turnkey customized railing solutions provider . We specialize in engineering, fabricating, and installing high-end architectural handrails and guardrails . We blend architectural vision with structural safety to deliver striking residential and commercial installations . Our team transforms standard barrier systems into custom, statement-making design elements that elevate properties

Our Core Specialization is Custom interior and exterior architectural railing systems ,Whether it's a small residential project or a large-scale commercial endeavor, we have the expertise to meet your every need.

AGM Fab provides structural flexibility by engineering custom components tailored to individual project specifications . Clients can select from a vast array of high-grade materials and finishes.

AGM Fab is here to transform your ideas into reality. Whether you're planning a new project or looking to enhance your existing space, we're ready to collaborate with you. Get in touch with us to discuss your fabrication needs, and let us bring your vision to life.

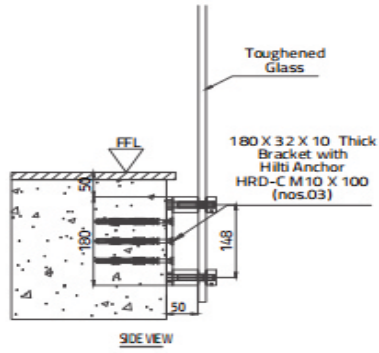




Transform your
Ideas into Reality



Side Bracket



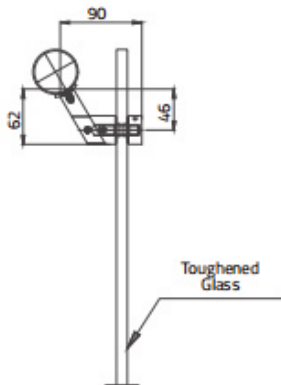
Grade	Code	End Cap Ø
S.S.316	DS1-GLS	32
S.S.304	ABS1-GLS	30

Glass Thickness : 12 to 17.52
Railing Usage : Medium



CUSTOM RAILING SOLUTIONS

Top Bracket to Hold Glass



Grade	Code	End Cap Ø
S.S.316	DS1U-GLS	32
S.S.304	ABS1U-GLS	30

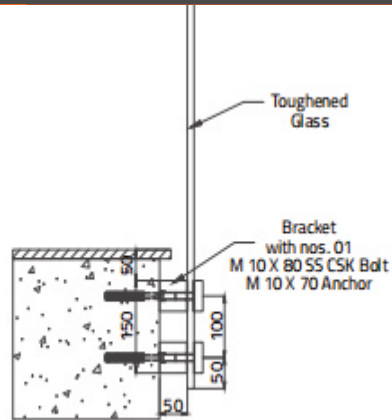
Glass Thickness : 12 to 17.52



Side Bracket
Railing System
with Glass



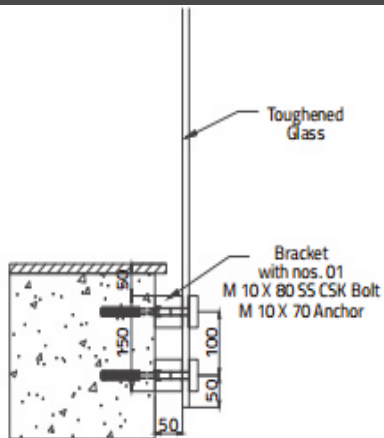
Side Glass Spacer - Ø 38



Grade	Code	Base Plate
S.S.316	DS3-GLS	-
S.S.304	ABS3-GLS	-

Glass Thickness : 12 to 17.52
Railing Usage : Medium

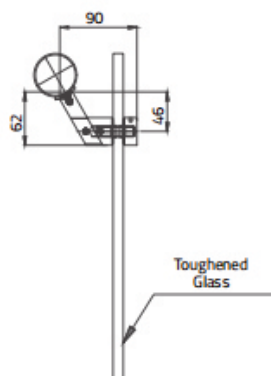
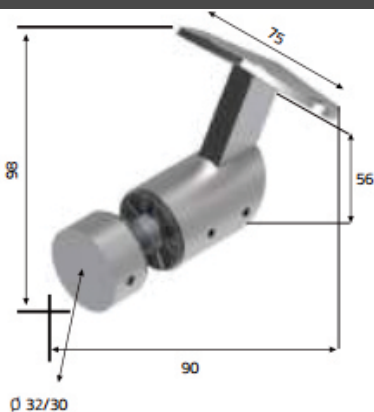
Side Glass Spacer - Ø 50



Grade	Code	Base Plate
S.S.316	DS2-GLS	-
S.S.304	ABS2-GLS	-

Glass Thickness : 12 to 17.52
Railing Usage : Medium

Top Bracket to Hold Glass



Grade	Code	End Cap Ø
S.S.316	DS1U-GLS	32
S.S.304	ABS1U-GLS	30

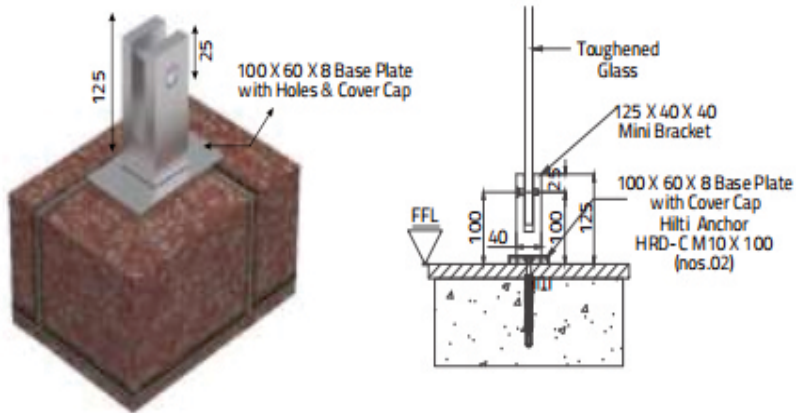
Glass Thickness : 12 to 17.52



*Side Mounted
Spacer
System
with Glass*



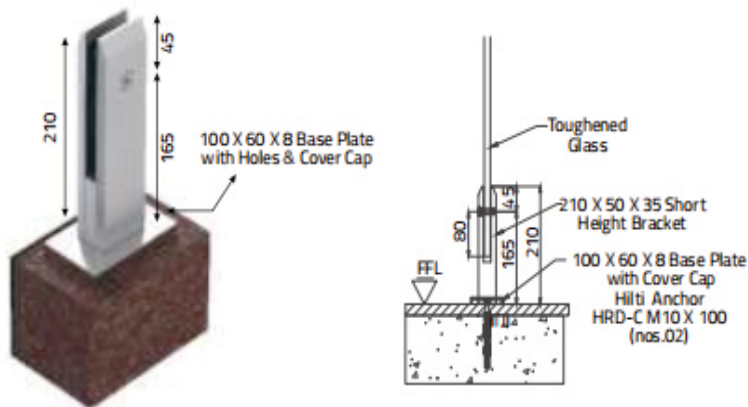
Top Mounted Flat Short Bracket



Grade	Code	Base Plate
S.S.316	DT4-GLS	S.S 316
S.S.304	ABT4-GLS	S.S 202

Glass Thickness : 12
Railing Usage : Light

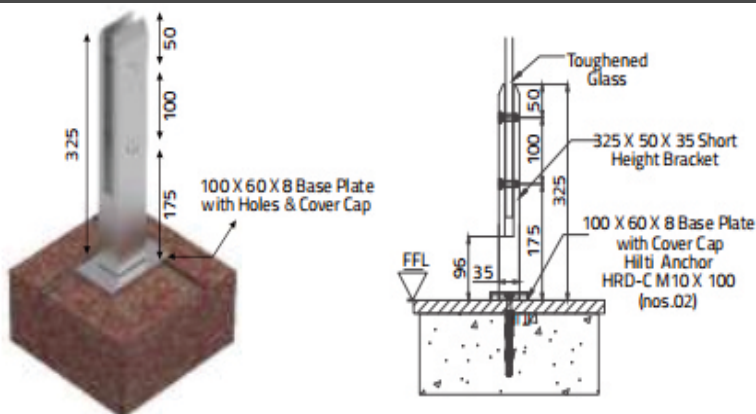
Top Mounted Flat Short Bracket



Grade	Code	Base Plate
S.S.316	DT2-GLS	S.S 316
S.S.304	ABT2-GLS	S.S 202

Glass Thickness : 12
Railing Usage : Medium

Top Mounted Flat Short Bracket



Grade	Code	Base Plate
S.S.316	DT5-GLS	S.S 316
S.S.304	ABT5-GLS	S.S 202

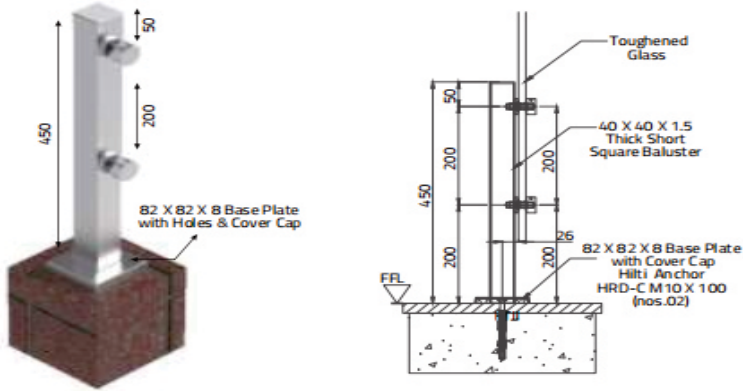
Glass Thickness : 12
Railing Usage : Medium



Top Mounted
Flat Short
Bracket
System With
Glass



Top Mounted Short Square Baluster with Glass



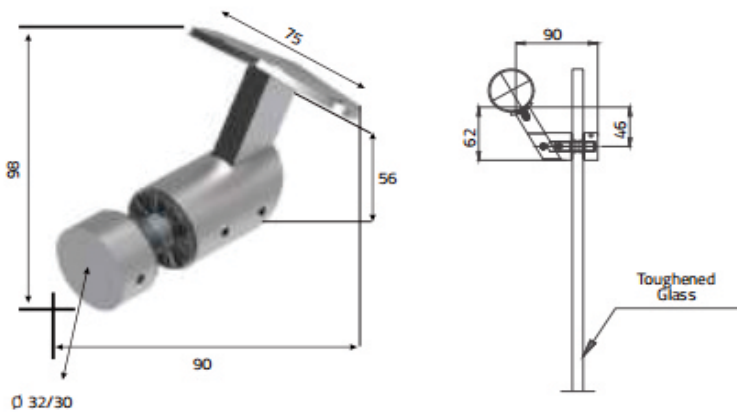
Grade	Code	Base Plate
S.S.316	DT32-GLS	S.S 316
S.S.304	ABT242-GLS	S.S 202

Glass Thickness : 12 to 17.52
Railing Usage : Medium



CUSTOM RAILING SOLUTIONS

Top Mounted Flat Short Bracket



Grade	Code	End Cap Ø
S.S.316	DS1U-GLS	32
S.S.304	ABS1U-GLS	30

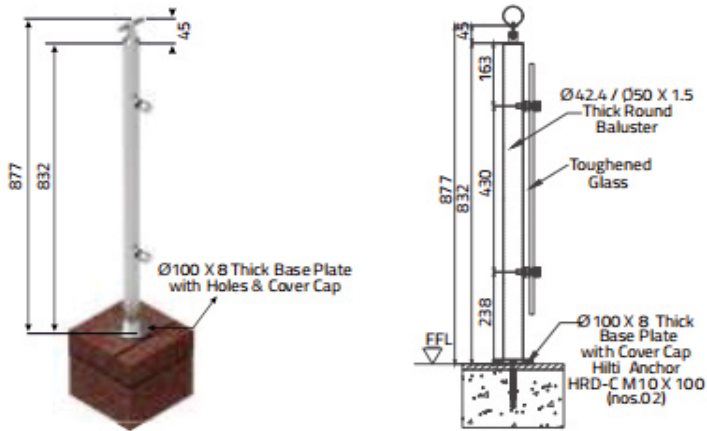
Glass Thickness : 12 to 17.52



Top Mounted
Square Short
Baluster
System
With Glass



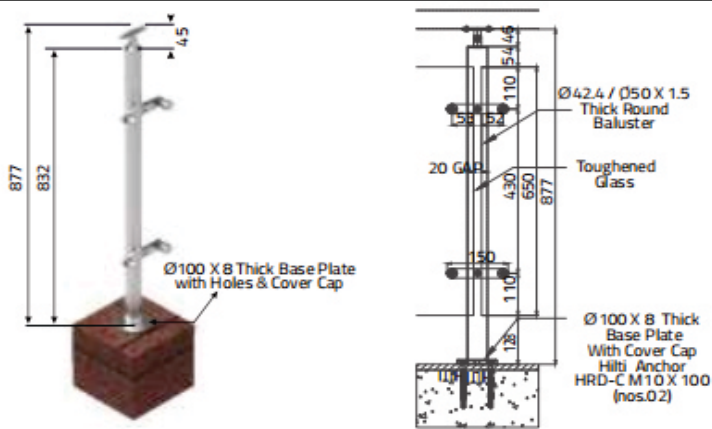
Top Mounted Round Baluster with Glass Bracket



Grade	Code	Base Plate
S.S.316	DT12-1-GLS (Ø50) DT15-1-GLS (Ø42.4)	S.S 316
S.S.304	ABT222-1-GLS (Ø50) ABT223-1-GLS (Ø42.4)	S.S 202

Glass Thickness : 10 to 17.52
Railing Usage : Light (Ø42.4) , Medium (Ø50)

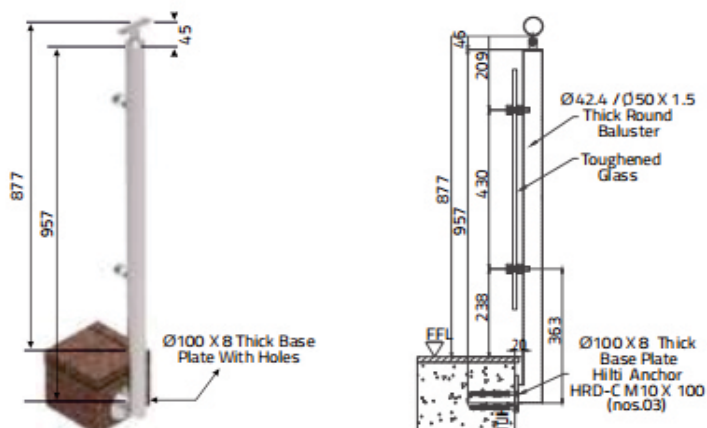
Top Mounted Round Baluster with Double Glass Bracket



Grade	Code	Base Plate
S.S.316	DT12-1-DGLS (Ø50) DT15-1-DGLS (Ø42.4)	S.S 316
S.S.304	ABT222-1-DGLS (Ø50) ABT223-1-DGLS (Ø42.4)	S.S 202

Glass Thickness : 10 to 17.52
Railing Usage : Light (Ø42.4) , Medium (Ø50)

Side Mounted Round Baluster with Glass Bracket



Grade	Code	Base Plate
S.S.316	DS12-1-GLS (Ø50) DS15-1-GLS (Ø42.4)	S.S 316
S.S.304	ABS222-1-GLS (Ø50) ABS223-1-GLS (Ø42.4)	S.S 202

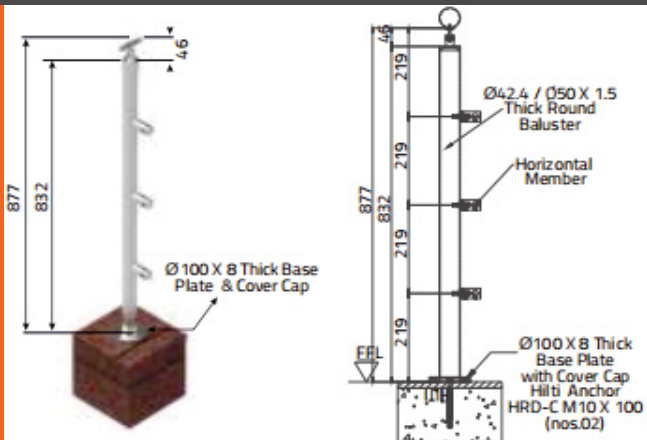
Glass Thickness : 10 to 17.52
Railing Usage : Light (Ø42.4) , Medium (Ø50)



Top Mounted
Round
Baluster
System
With Glass



Top Mounted Round Baluster with Horizontal Members 3 Nos

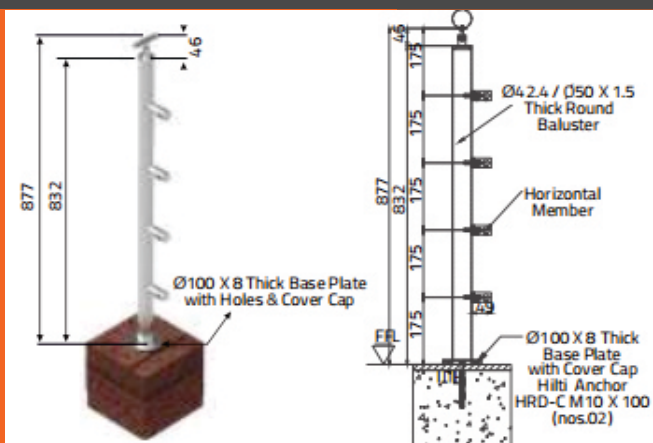


Grade	Code	Base Plate	H.M.Pipe Thickness
S.S.316	DT12-1-163 (Ø50)	S.S 316	1.5
	DT15-1-163 (Ø42.4)		
S.S.304	ABT222-1-163 (Ø50)	S.S 202	1.2
	ABT223-1-163 (Ø42.4)		

Horizontal Members : Ø16/19

Railing Usage : Light (Ø42.4), Medium (Ø50)

Top Mounted Round Baluster with Horizontal Members 4 Nos

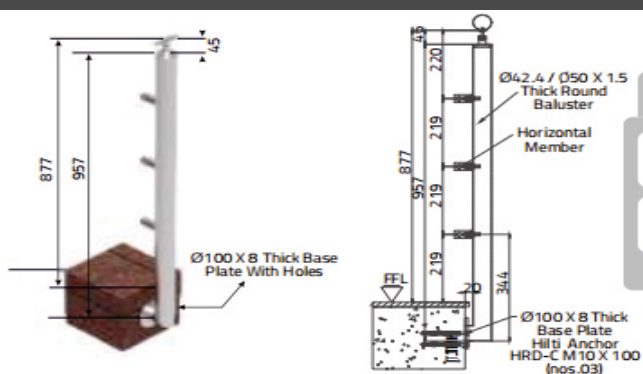


Grade	Code	Base Plate	H.M.Pipe Thickness
S.S.316	DT12-1-164 (Ø50)	S.S 316	1.5
	DT15-1-164 (Ø42.4)		
S.S.304	ABT222-1-164 (Ø50)	S.S 202	1.2
	ABT223-1-164 (Ø42.4)		

Horizontal Members : Ø16/19

Railing Usage : Light (Ø42.4), Medium (Ø50)

Side Mounted Round Baluster with Horizontal Members 3 Nos



Grade	Code	Base Plate	H.M.Pipe Thickness
S.S.316	DS12-1-163 (Ø50)	S.S 316	1.5
	DS15-1-163 (Ø42.4)		
S.S.304	ABS222-1-163 (Ø50)	S.S 304	1.2
	ABS223-1-163 (Ø42.4)		

Horizontal Members : Ø16/19

Railing Usage : Light (Ø42.4), Medium (Ø50)

All sizes are mentioned in mm

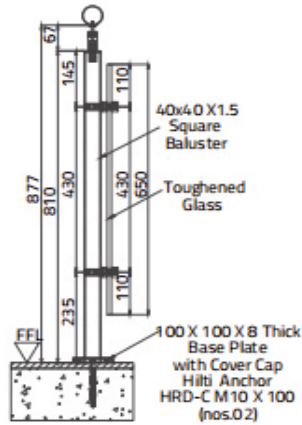
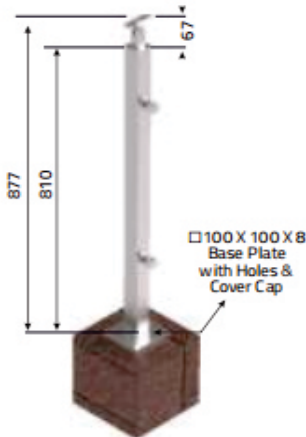
Available Finish
● Satin



Top Mounted
Round
Baluster
System
With
Horizontal
Members



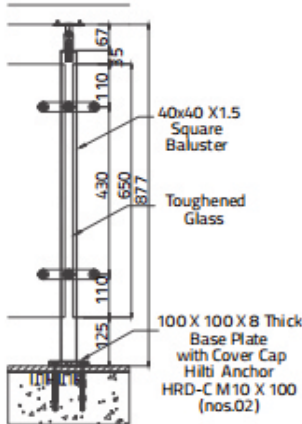
Top Mounted Square Baluster with Glass Bracket



Grade	Code	Base Plate
S.S.316	DT31-1-GLS	S.S 316
S.S.304	ABT241-1-GLS	S.S 202

Glass Thickness : 10 to 17.52
Railing Usage : Medium

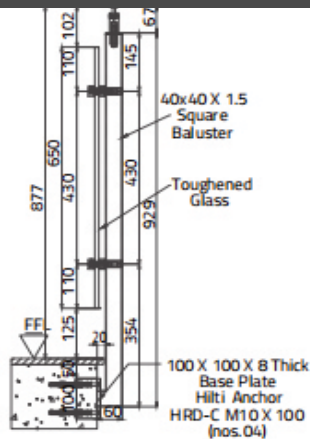
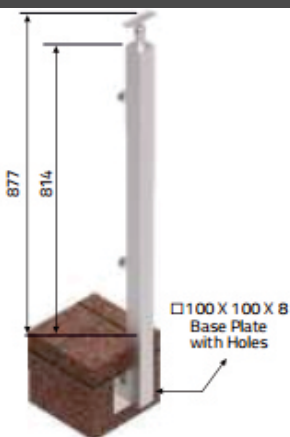
Top Mounted Square Baluster with Double Glass Bracket



Grade	Code	Base Plate
S.S.316	DT31-1-DGLS	S.S 316
S.S.304	ABT241-1-DGLS	S.S 202

Glass Thickness : 10 to 17.52
Railing Usage : Medium

Side Mounted Square Baluster with Glass Bracket



Grade	Code	Base Plate
S.S.316	DS31-1-GLS	S.S 316
S.S.304	ABS241-1-GLS	S.S 304

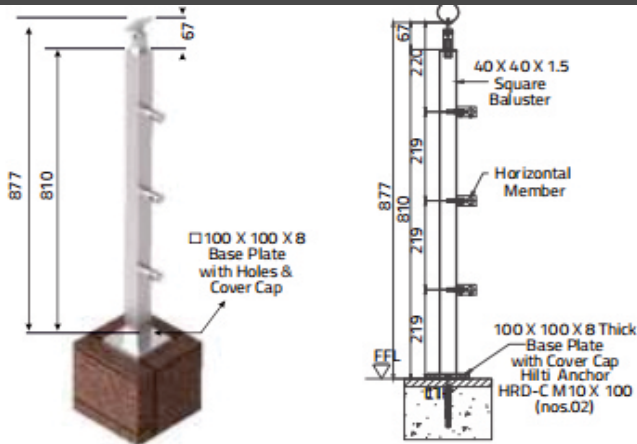
Glass Thickness : 10 to 17.52
Railing Usage : Medium



Top
Mounted
Square
Baluster
System
With Glass



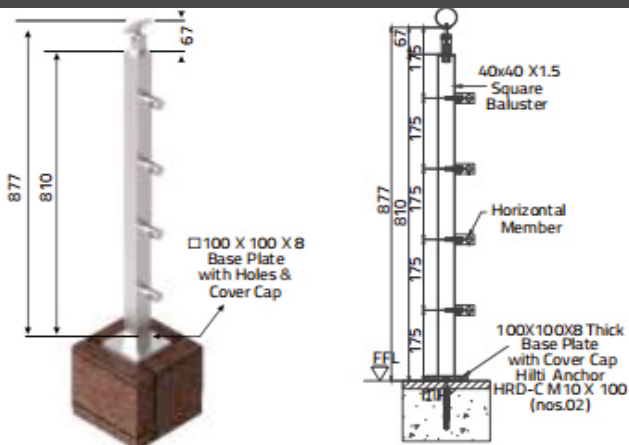
Top Mounted Square Baluster with Horizontal Members 3 Nos



Grade	Code	Base Plate	H.M.Pipe Thickness
S.S.316	DT31-1-163	S.S 316	1.5
S.S.304	ABT241-1-163	S.S 202	1.2

Horizontal Members : Ø16/19
Railing Usage : Medium

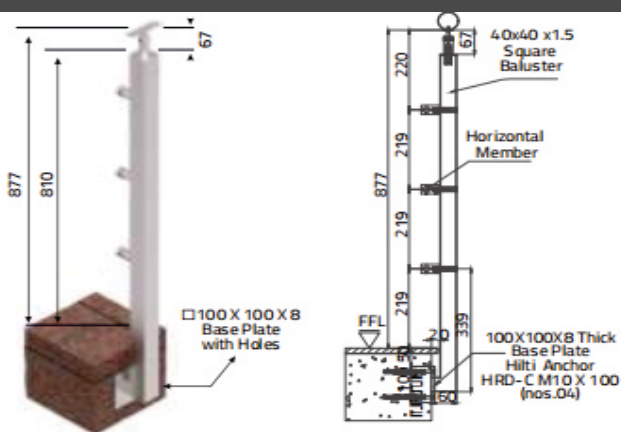
Top Mounted Square Baluster with Horizontal Members 4 Nos



Grade	Code	Base Plate	H.M.Pipe Thickness
S.S.316	DT31-1-164	S.S 316	1.5
S.S.304	ABT241-1-164	S.S 202	1.2

Horizontal Members : Ø16/19
Railing Usage : Medium

Side Mounted Square Baluster with Horizontal Members 3 Nos



Grade	Code	Base Plate	H.M.Pipe Thickness
S.S.316	DS31-1-163	S.S 316	1.5
S.S.304	ABS241-1-163	S.S 304	1.2

Horizontal Members : Ø16/19
Railing Usage : Medium

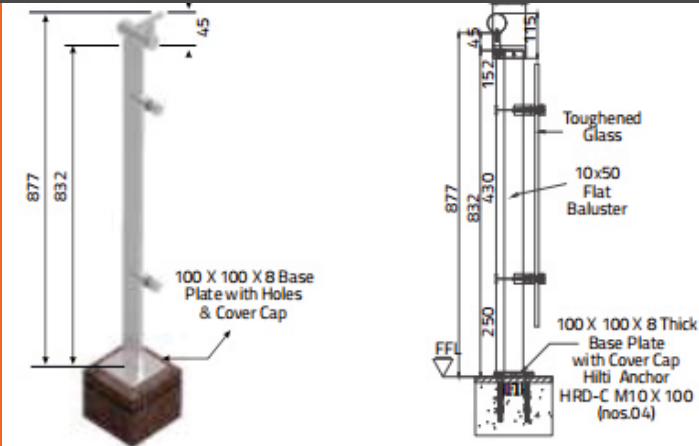
Available Finish



Top Mounted
Square
Baluster
System With
Horizontal
Members



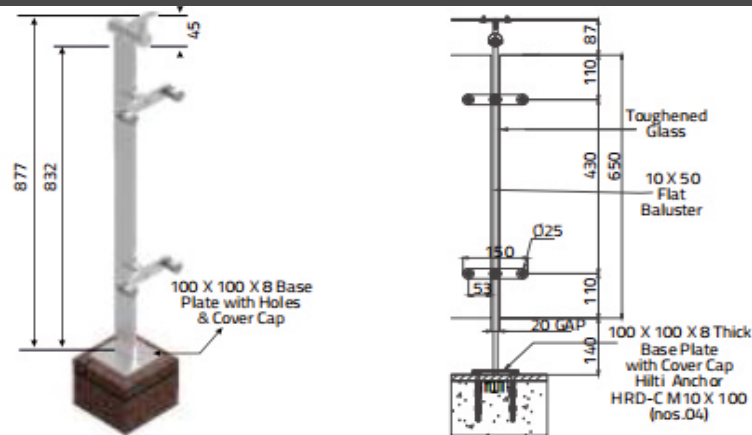
Top Mounted Flat Baluster with Glass Bracket



Grade	Code	Base Plate
S.S.316	DT52-3-GLS	S.S 316
S.S.304	ABT261-3-GLS	S.S 202

Glass Thickness : 10 to 17.52
Railing Usage : Heavy

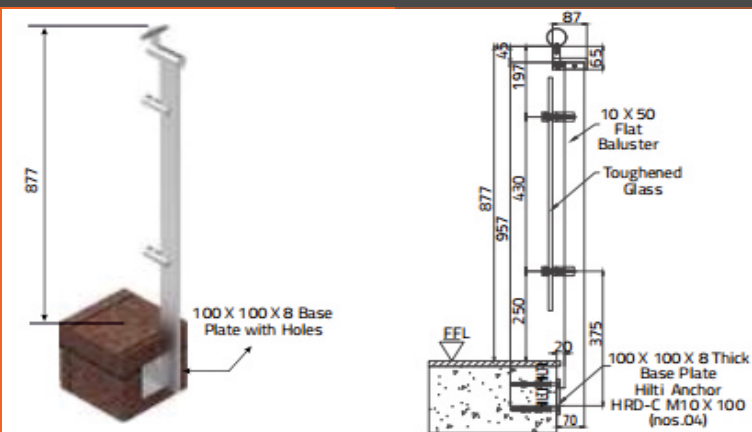
Top Mounted Flat Baluster with Double Glass Bracket



Grade	Code	Base Plate
S.S.316	DT52-3-DGLS	S.S 316
S.S.304	ABT261-3-DGLS	S.S 202

Glass Thickness : 10 to 17.52
Railing Usage : Heavy

Side Mounted Flat Baluster with Glass Bracket



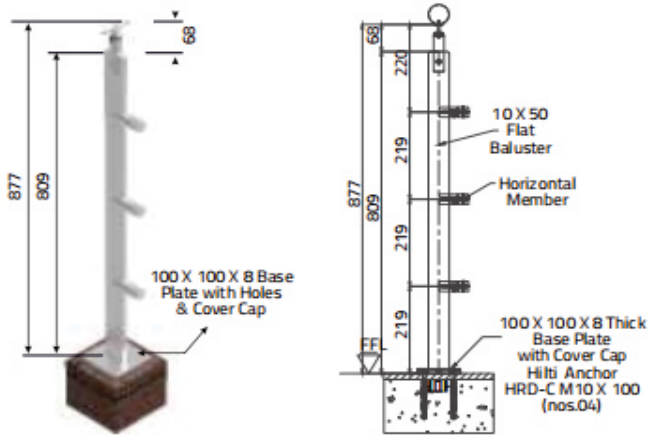
Grade	Code	Base Plate
S.S.316	DS52-3-GLS	S.S 316
S.S.304	ABS261-3-GLS	S.S 304

Glass Thickness : 10 to 17.52
Railing Usage : Heavy



Top Mounted
Flat Baluster
System
With Glass

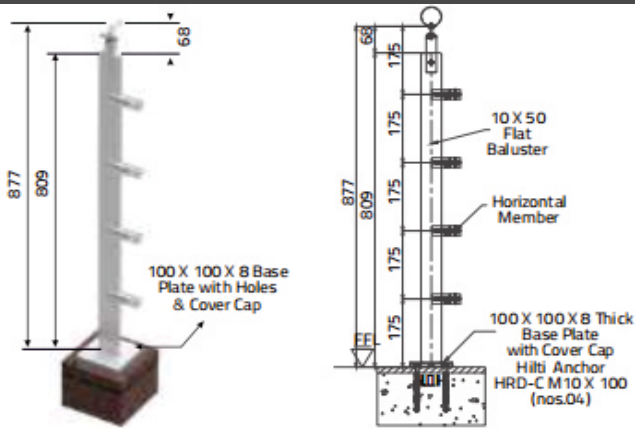
Top Mounted Flat Baluster with Horizontal Members 3 Nos



Grade	Code	Base Plate	H.M.Pipe Thickness
S.S.316	DT53-2-163	S.S 316	1.5
S.S.304	ABT262-2-163	S.S 202	1.2

Horizontal Members : Ø16/19
Railing Usage : Heavy

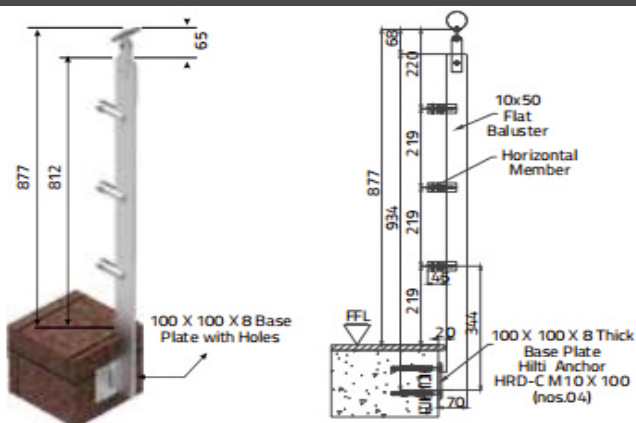
Top Mounted Flat Baluster with Horizontal Members 4 Nos



Grade	Code	Base Plate	H.M.Pipe Thickness
S.S.316	DT53-2-164	S.S 316	1.5
S.S.304	ABT262-2-164	S.S 202	1.2

Horizontal Members : Ø16/19
Railing Usage : Heavy

Side Mounted Flat Baluster with Horizontal Members 3 Nos



Grade	Code	Base Plate	H.M.Pipe Thickness
S.S.316	DS53-2-163	S.S 316	1.5
S.S.304	ABS262-2-163	S.S 304	1.2

Horizontal Members : Ø16/19
Railing Usage : Heavy

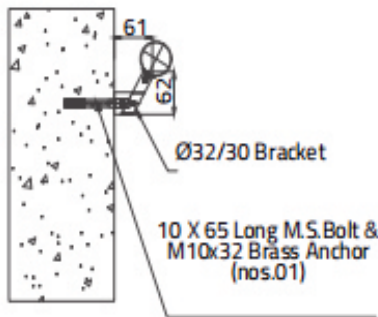


Top Mounted
Flat Baluster
System With
Horizontal
Members





Wall Mounted Bracket



Grade	Code	DIA Ø
S.S.316	DW1-1	32
S.S.304	AW201-2	30

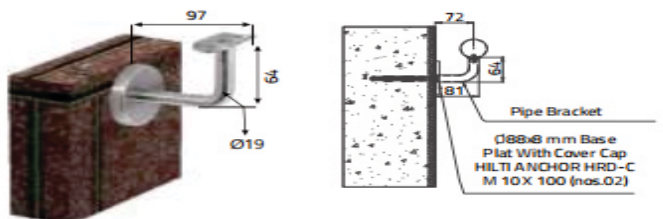
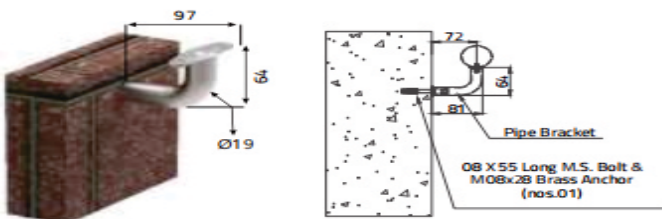
Railing Usage : Medium



Corrosion Resistance
All sizes are mentioned in mm



Wall Mounted Bracket



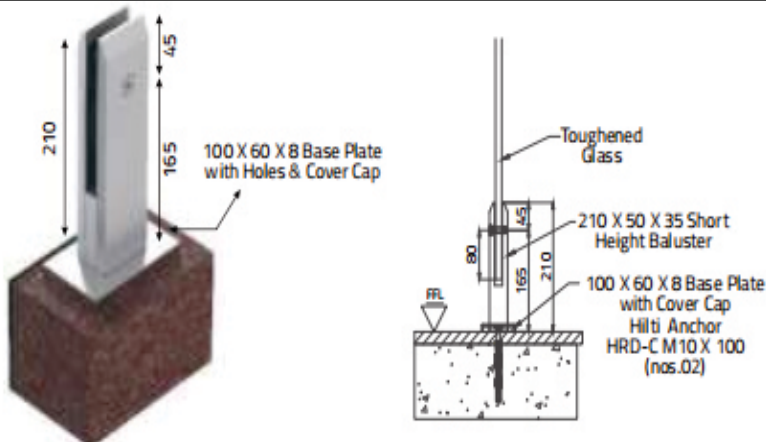
Grade	Code	Wall Bracket Thickness
S.S.316	DW1-2	1.5
S.S.304	AW201-1	1.2

Railing Usage : Medium

Grade	Code	Wall Bracket Thickness
S.S.316	DW1-3	1.5
S.S.304	AW201-3	1.2

Railing Usage : Medium

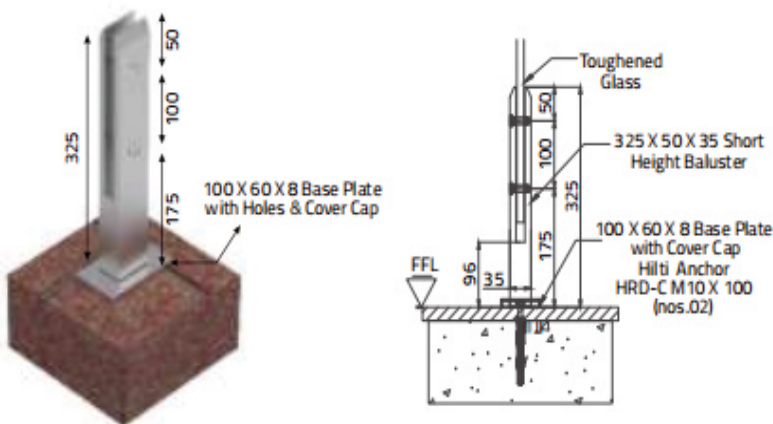
Top Mounted Flat Short Bracket



Grade	Code	Base Plate
S.S.316	PDT2-GLS	S.S 316
S.S.304	-	-

Glass Thickness : 12
Railing Usage : Medium

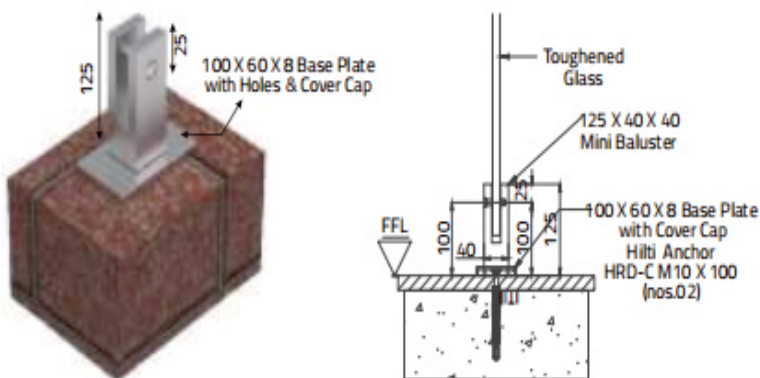
Top Mounted Flat Short Bracket



Grade	Code	Base Plate
S.S.316	PDT5-GLS	S.S 316
S.S.304	-	-

Glass Thickness : 12
Railing Usage : Medium

Top Mounted Flat Short Bracket



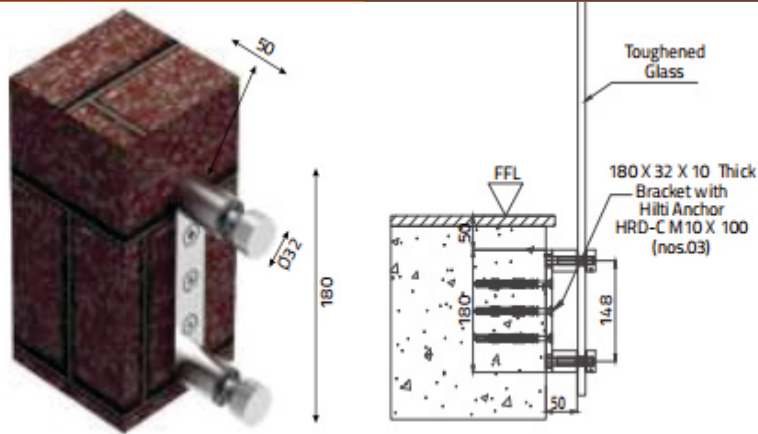
Grade	Code	Base Plate
S.S.316	PDT4-GLS	S.S 316
S.S.304	-	-

Glass Thickness : 12
Railing Usage : Light



Top
Mounted
Flat PVD
Finish Short
Bracket
System
With Glass

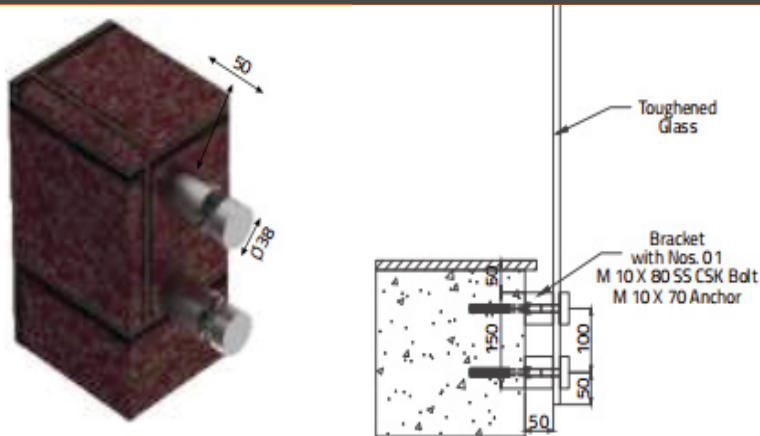
Side Bracket



Grade	Code	Base Plate
S.S.316	PDS1-GLS	-
S.S.304	-	-

Glass Thickness : 12 to 17.52
Railing Usage : Medium

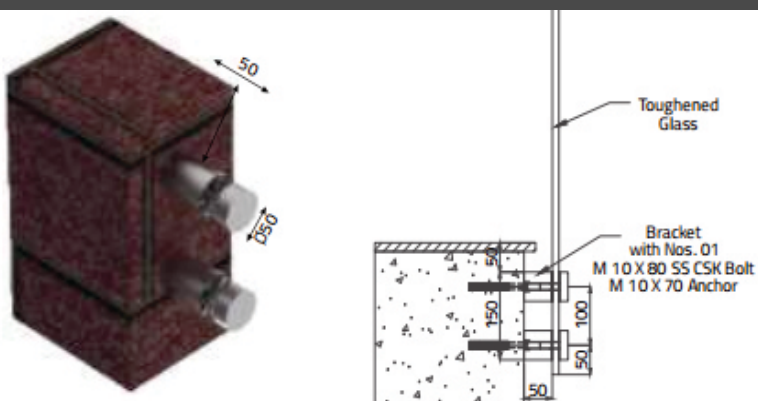
Side Glass Spacer - Ø 38



Grade	Code	Base Plate
S.S.316	PDS3-GLS	-
S.S.304	-	-

Glass Thickness : 12 to 17.52
Railing Usage : Medium

Side Glass Spacer - Ø 50



Grade	Code	Base Plate
S.S.316	PDS2-GLS	-
S.S.304	-	-

Glass Thickness : 12 to 17.52
Railing Usage : Medium

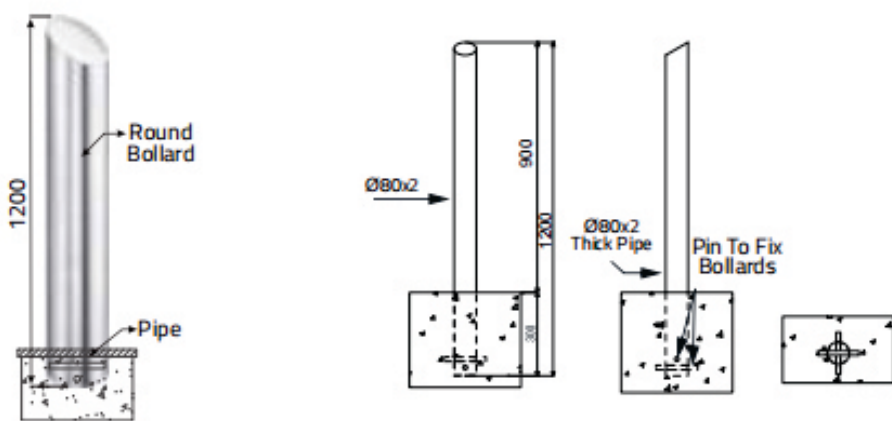


Side
Bracket
PVD Finish
Railing
System
with Glass





Bollard



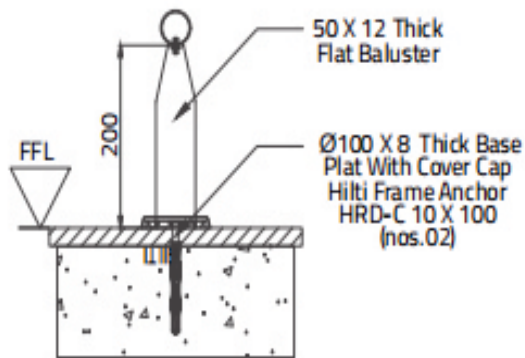
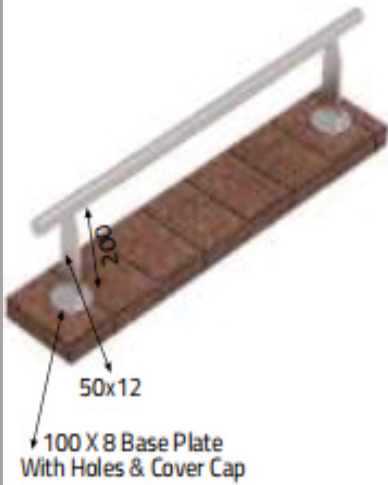
Grade	Code
S.S.316	DT14
S.S.304	ABT14



Corrosion Resistance
All sizes are mentioned in mm



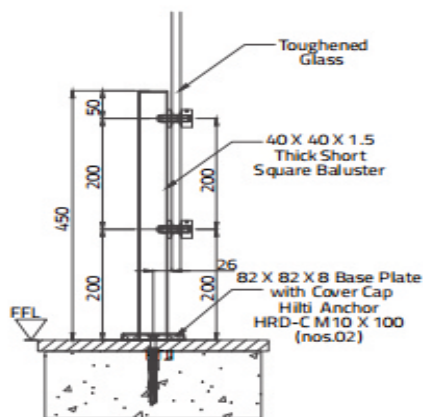
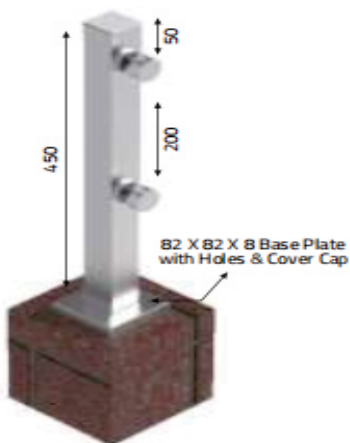
Trolley Guard



Grade	Code
S.S.316	DT16
S.S.304	ABT16



Top Mounted PVD Finish Square Short Baluster System With Glass

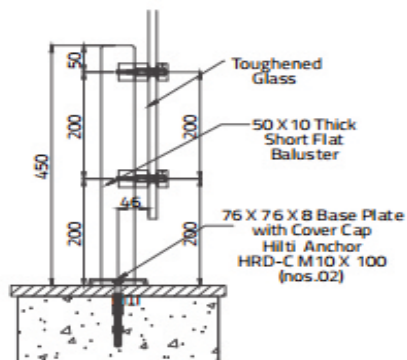
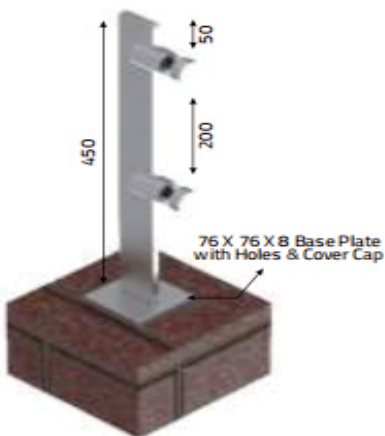


Grade	Code	Base Plate
S.S.316	PDT32-GLS	S.S 316
S.S.304	-	-

Glass Thickness : 12 to 17.52
Railing Usage : Medium



Top Mounted PVD Finish Flat Short Baluster System With Glass



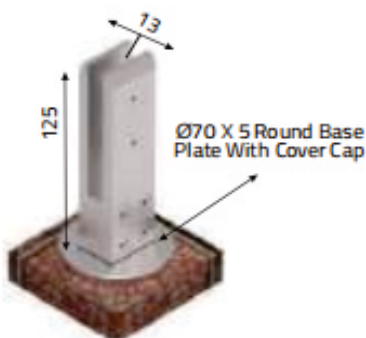
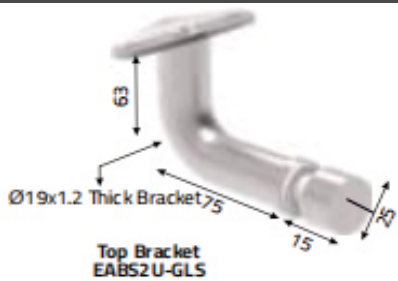
Grade	Code	Base Plate
S.S.316	PDT55-GLS	S.S 316
S.S.304	-	-

Glass Thickness : 12 to 17.52

Railing Usage : Medium



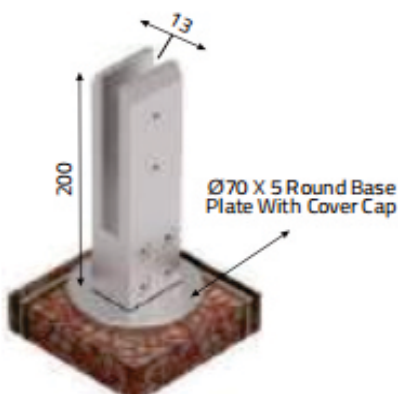
Top Mounted Flat Short Bracket



Top Mounted Flat Short Bracket

Grade	Code	Base Plate
S.S.316	-	-
S.S.304	EABT6-GLS	S.S.304

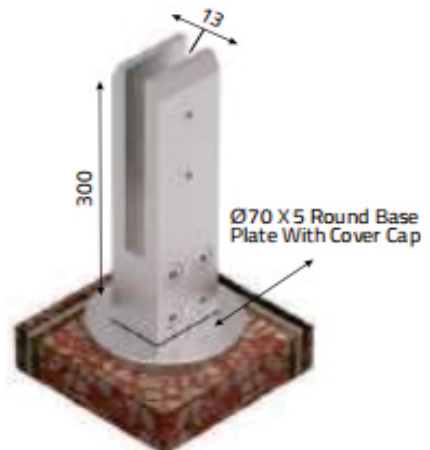
Glass Thickness : 12
Railing Usage : Light



Top Mounted Flat Short Bracket

Grade	Code	Base Plate
S.S.316	-	-
S.S.304	EABT7-GLS	S.S.304

Glass Thickness : 12
Railing Usage : Light



Top Mounted Flat Short Bracket

Grade	Code	Base Plate
S.S.316	-	-
S.S.304	EABT8-GLS	S.S.304

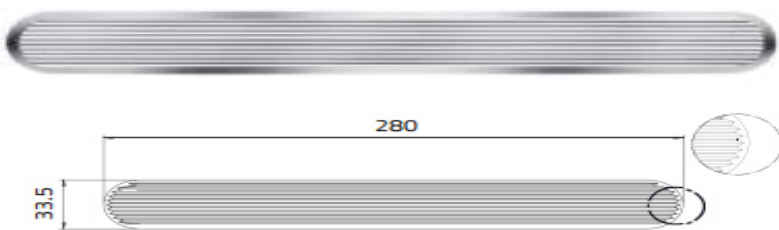
Glass Thickness : 12
Railing Usage : Light



Corrosion Resistance
All sizes are mentioned in mm

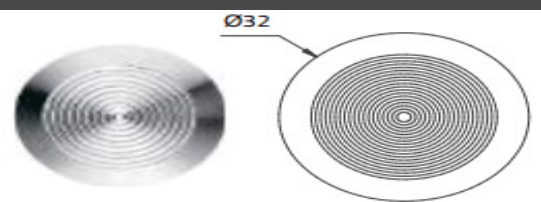


Tactile Indicators



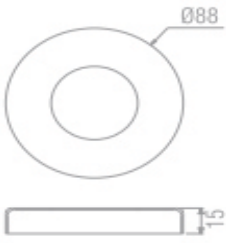
Grade	Code
S.S.316	TCST11-316
S.S.304	TCST11

Available in Satin & Glossy Finish

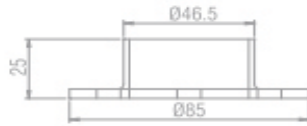


Grade	Code
S.S.316	TCB11-316
S.S.304	TCB11

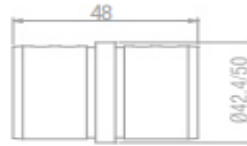
Available in Satin & Glossy Finish



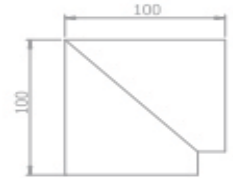
MWCC-42.4/50 (S.S.316)
AMWCC-42.4/50 (S.S.304)
Wall Cover Cap



MWFHR-42.4 (S.S.316)
AMWFHR-42.4 (S.S.304)
Wall Flange for Handrail

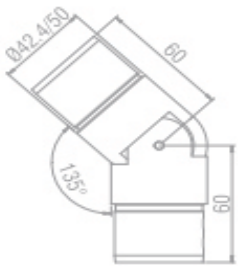


MPCHR-42.4/50 (S.S.316)
AMPCHR-42.4/50 (S.S. 304)
Two Pipe Connector



M90HRB-42.4/50 (S.S. 316)
AM90HRB-42.4/50 (S.S.304)
90 Degree Bend
for Handrail

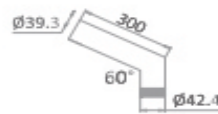
Accessories



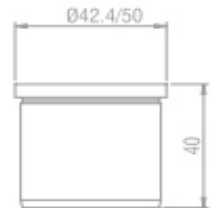
MBHRS-42.4/50 (S.S. 316)
AMBHRS-42.4/50 (S.S. 304)
Smooth Bend
for Handrail



MRP-42.4/50 (S.S. 316)
Metal Thickness 1.5mm
AMRP-42.4/50 (S.S. 304)
Metal Thickness 1.5mm
Round Pipe for Handrail (12ft)



MSB-42.4/50 (S.S. 316)
AMSB-42.4/50 (S.S. 304)
Starting Pipe for Handrail



MECHR-42.4/50 (S.S. 316)
AMECHR-42.4/50 (S.S. 304)
Handrail End cap

Note: All drawings are given accordingly Ø 42.4 Handrail and 16mm Horizontal Members



Burma Teak

American Walnut

White Ash

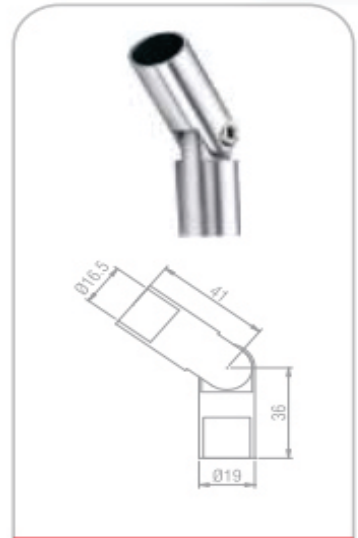
Premium Natural Wood Handrails
 Ø50
 *Supply Only



HRDC M10x100/120
140/160 &
KLIMAS KPS Fast 10x100
 (GI) Anchor Bolt

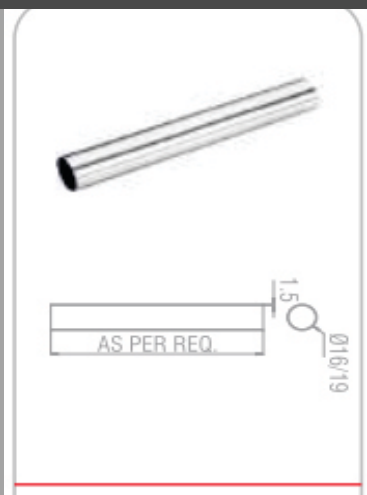


Allen CSK Bolt
Brass Anchor

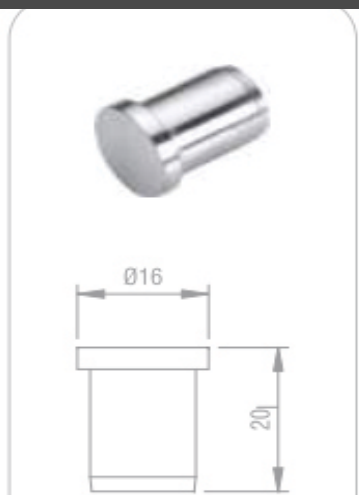


MFBHM-16/19
AMFBHM-16/19
 Flexible Bend

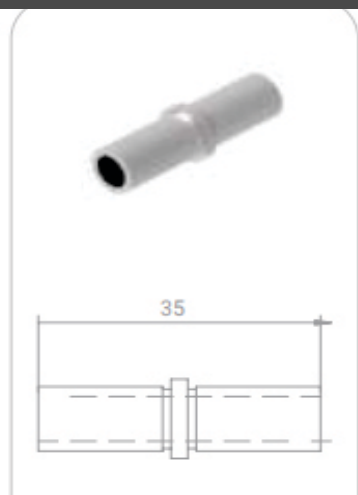
Accessories



MRP-16/19 (S.S. 316)
 Metal Thickness 1.5mm
AMRP-16/19 (S.S. 304)
 Metal Thickness 1.2mm
 Round Pipe for
 Horizontal Member (12ft)



MECHM-16/19
AMECHM-16/19
 End Cap



MPCHM-16/19
AMPCHM-16/19
 Two Pipe Connector



LOCTITE



BOND TITE
FAST & CLEAR

Note: All drawings are given accordingly Ø 42.4 Handrail and 16mm Horizontal Members

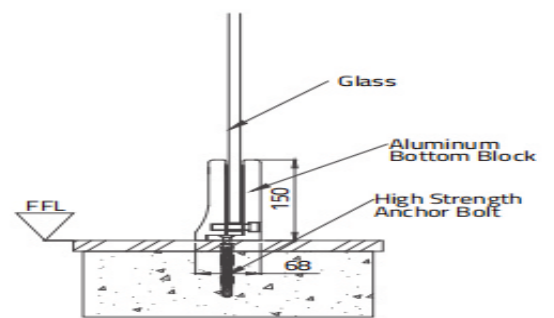


Top Mounted Aluminium Block System



- | Glass Thickness : 12 to 13.52
- | Railing Usage : Medium

All sizes are mentioned in mm



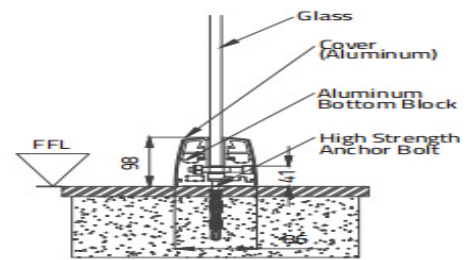
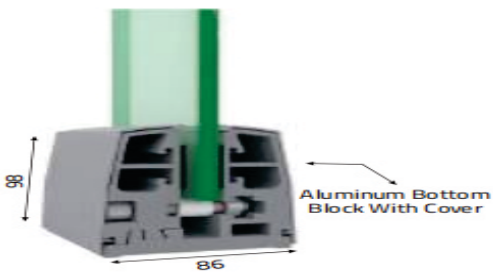
Available Finishes



Corrosion Resistance
All sizes are mentioned in mm



Top Mounted Aluminium Block & Cover System

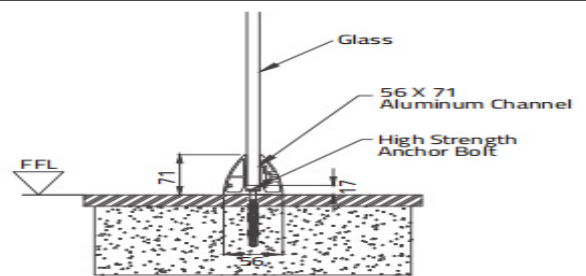
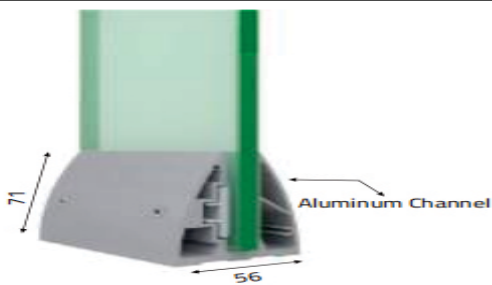


- | Block Length : 3"
- | Available Length of Cover : 16ft
- | Glass Thickness : 12 to 13.52
- | Railing Usage : Medium

All sizes are mentioned in mm

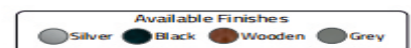


Top Mounted Aluminium Continue Channel System



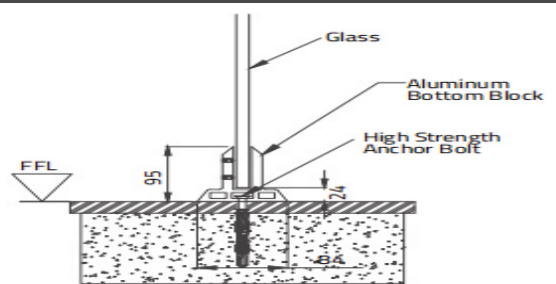
- | Available Length of Channel : 16ft
- | Glass Thickness : 12
- | Railing Usage : Light

All sizes are mentioned in mm





Top Mounted Aluminium Block System



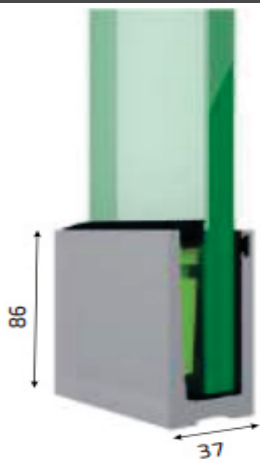
- █ Block Length : 3"
- █ Glass Thickness : 12
- █ Railing Usage : Light

All sizes are mentioned in mm





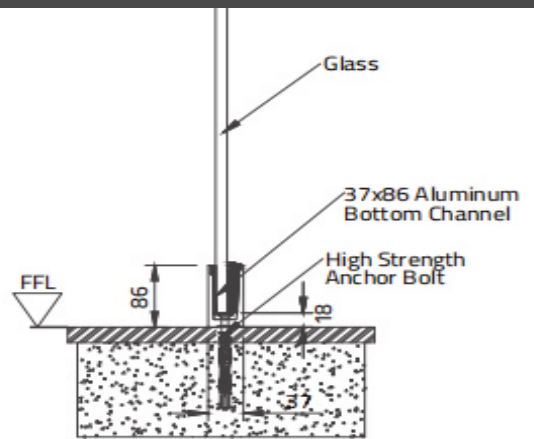
Top Mounted Solid Aluminium Channel System



DTA92-ECO1
End Cap



DTA92-ECO2
End Cap



| Available Length of Channel : 12ft

| Glass Thickness : 12 to 13.52

| Railing Usage : Medium

All sizes are mentioned in mm

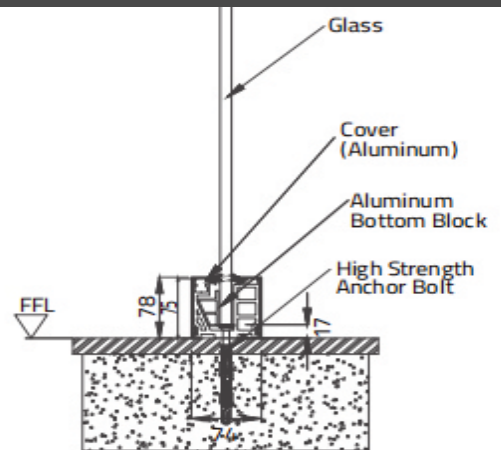
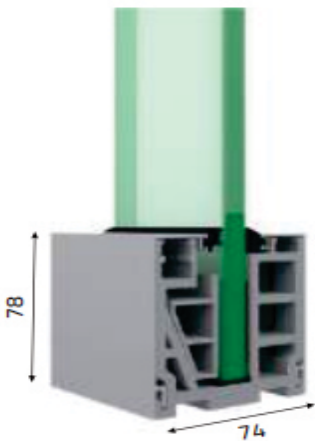
Available Finishes

- Silver
- Black
- Wooden
- Grey



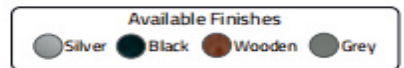
Corrosion Resistance
All sizes are mentioned in mm

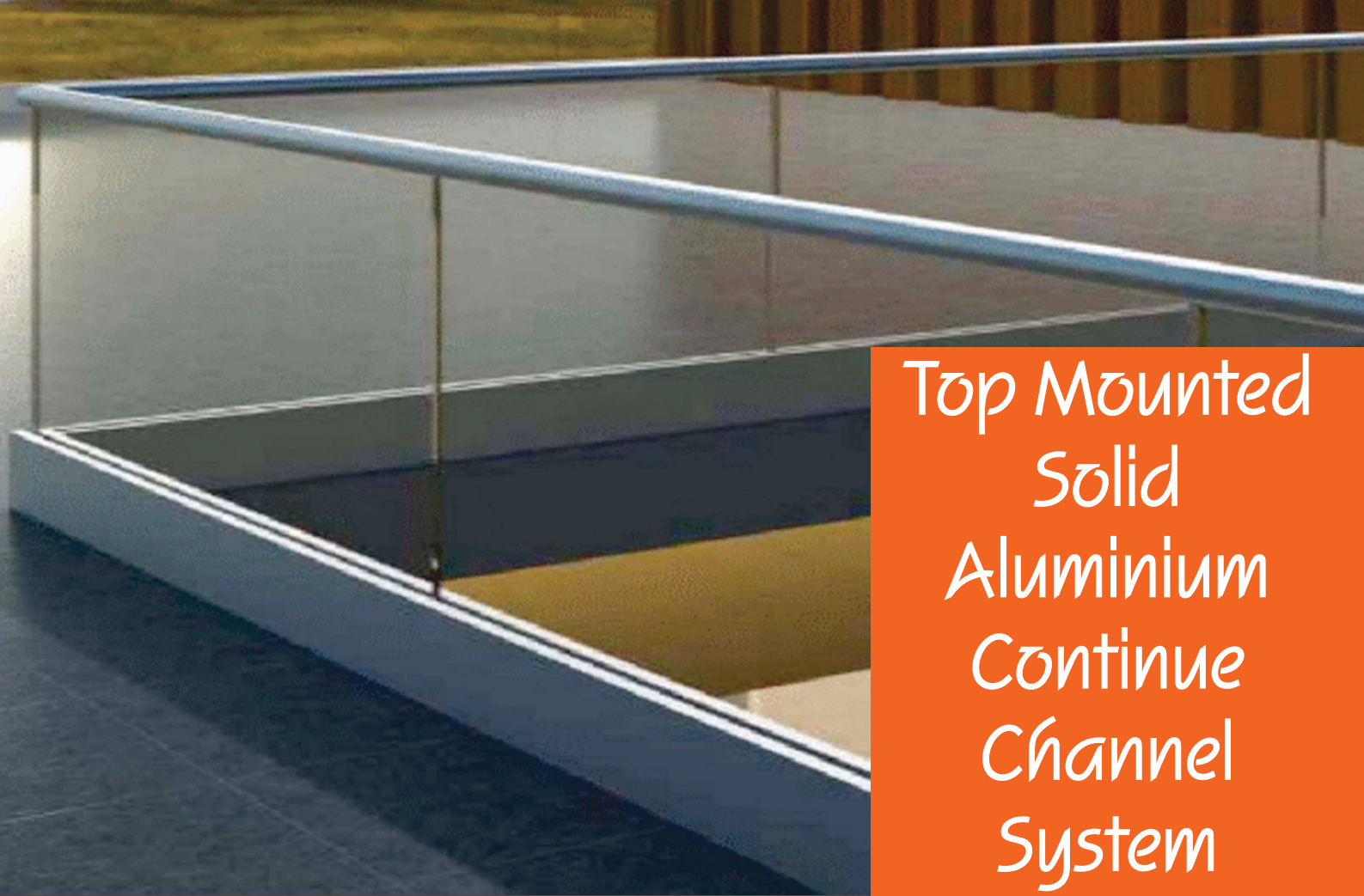
Top Mounted Block Cover System



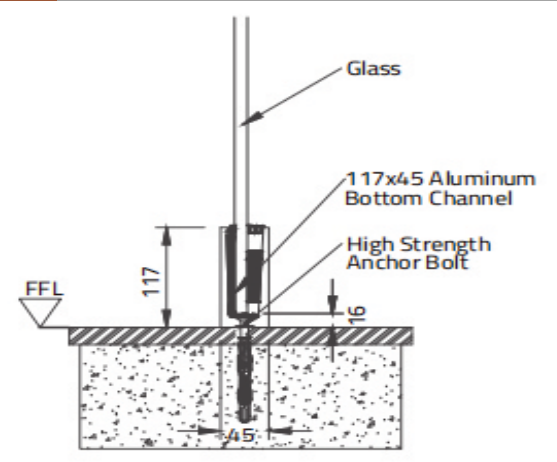
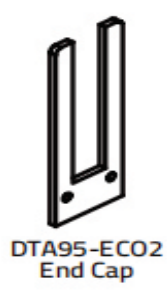
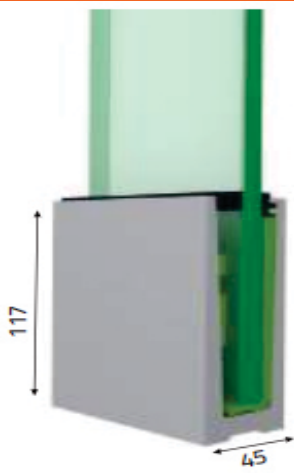
- | Block Length : 3"
- | Available Length of Cover : 16ft
- | Glass Thickness : 12 to 13.52
- | Railing Usage : Medium

All sizes are mentioned in mm





Top Mounted Solid Aluminium Continue Channel System



- | Available Length of Channel : 12ft
- | Glass Thickness : 12 to 17.52
- | Railing Usage : Heavy

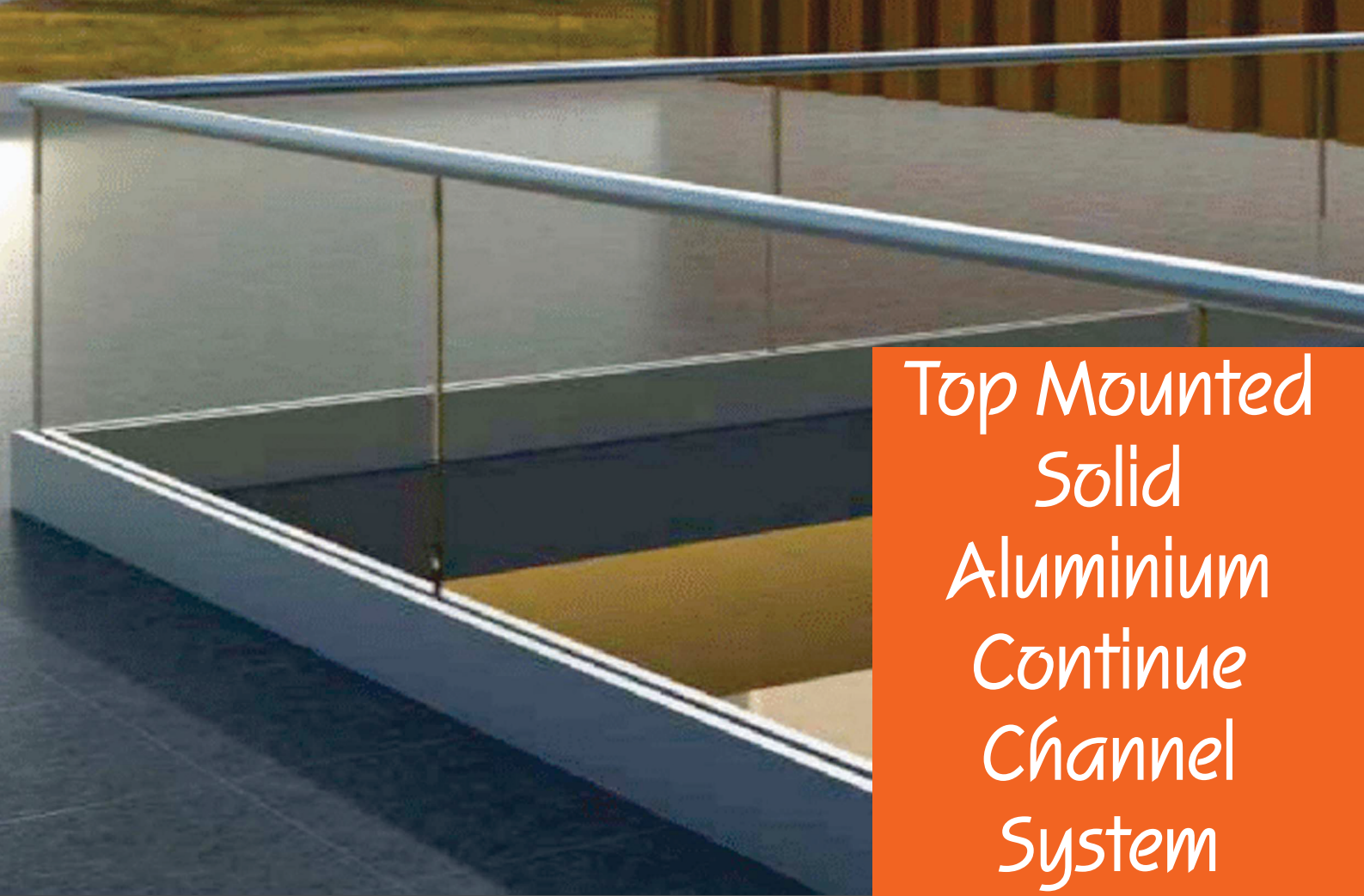
All sizes are mentioned in mm

Available Finishes

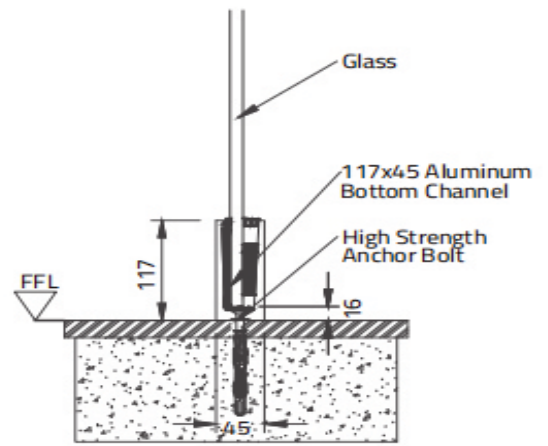
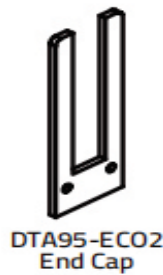
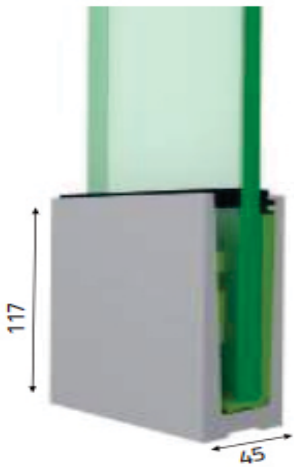
- Silver
- Black
- Wooden
- Grey



Corrosion Resistance
All sizes are mentioned in mm

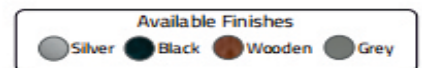


Top Mounted Solid Aluminium Continue Channel System



- | Available Length of Channel : 12ft
- | Glass Thickness : 12 to 17.52
- | Railing Usage : Heavy

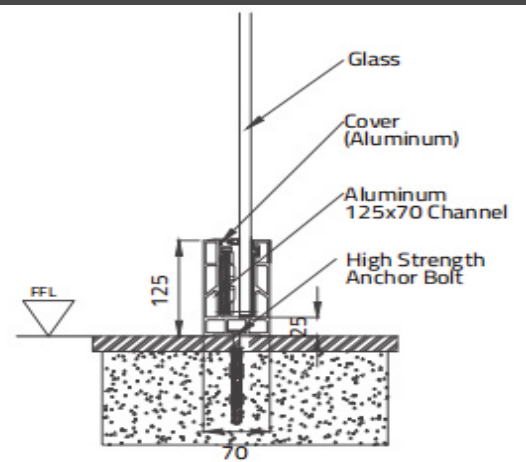
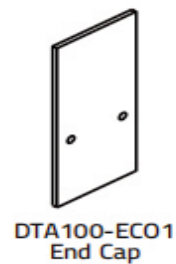
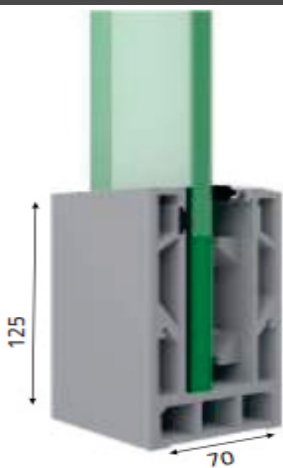
All sizes are mentioned in mm



Corrosion Resistance
All sizes are mentioned in mm



Top Mounted Hollow Aluminium Channel System



- | Available Length of Channel : 12ft
- | Glass Thickness : 12 to 17.52
- | Railing Usage : Heavy

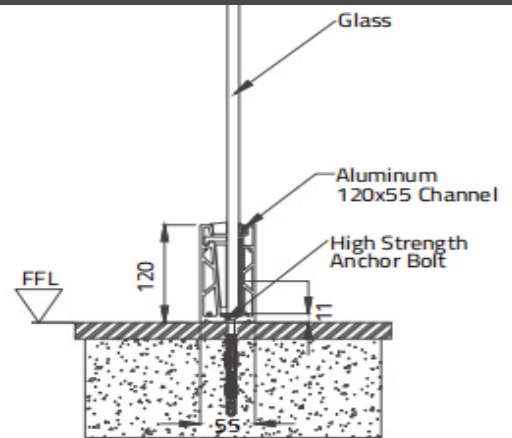
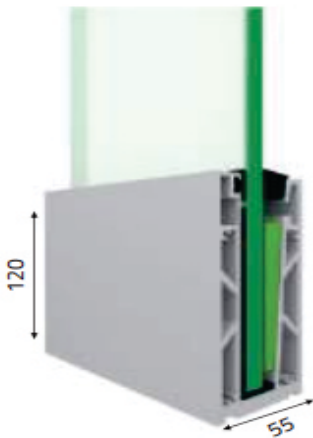
All sizes are mentioned in mm



Corrosion Resistance
All sizes are mentioned in mm



Top Mounted Hollow Aluminium Continue Channel System

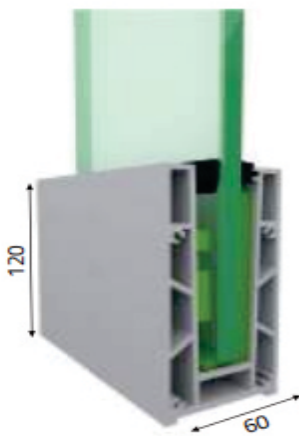


- | Available Length of Channel : 12ft
- | Glass Thickness : 12 to 17.52
- | Railing Usage : Heavy

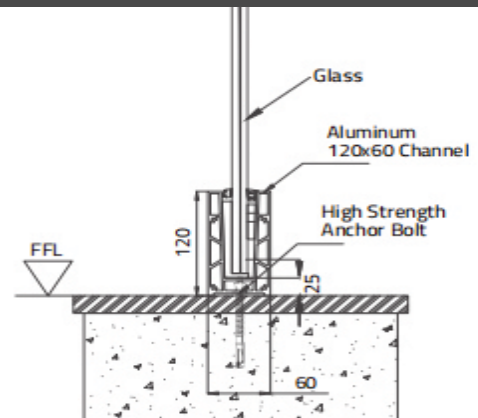
All sizes are mentioned in mm



Top Mounted Hollow Aluminium Continue Channel System



DTA102-ECO1
End Cap



- | Available Length of Channel : 12ft
- | Glass Thickness : 12 to 17.52
- | Railing Usage : Heavy

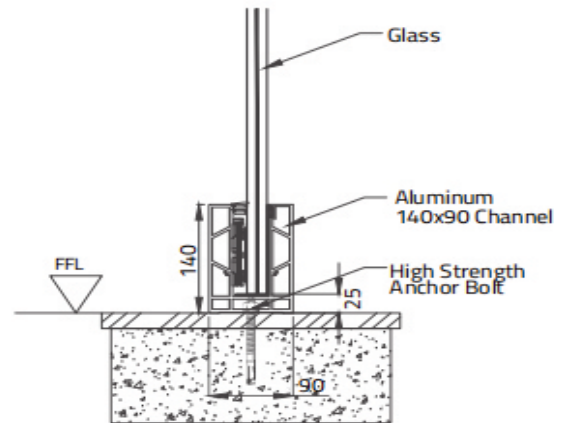
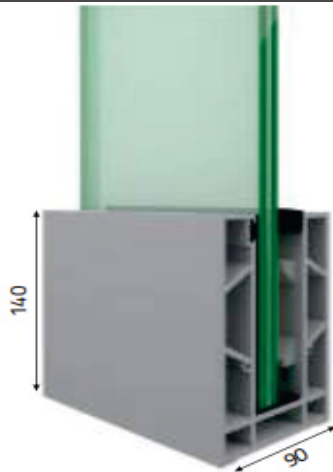
All sizes are mentioned in mm



Corrosion Resistance
All sizes are mentioned in mm

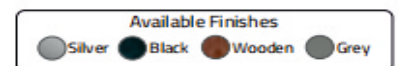


Top Mounted Hollow Aluminium Continue Channel System



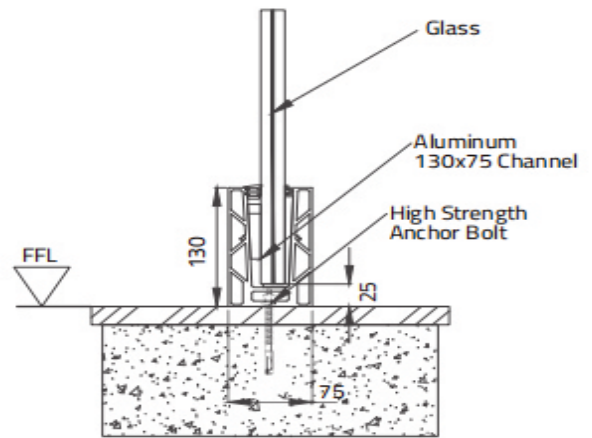
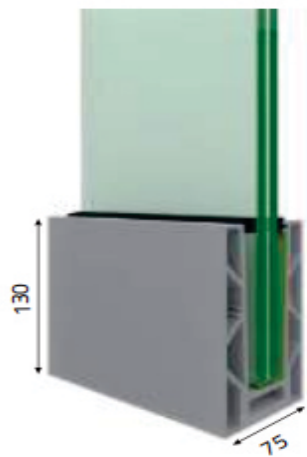
- | Available Length of Channel : 12ft
- | Glass Thickness : 15.52 to 19.52
- | Railing Usage : Heavy

All sizes are mentioned in mm



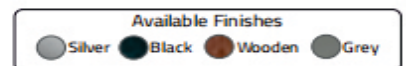


Top Mounted Hollow Aluminium Continue Channel System



- | Available Length of Channel : 12ft
- | Glass Thickness : 15.52 to 25.52
- | Railing Usage : Heavy

All sizes are mentioned in mm



Corrosion Resistance
All sizes are mentioned in mm



Available Variants
of Handrails

Available Variants of Handrails

	 HRA50 Handrail	 EC50 End Cap	 SC50 180° Connector	 HRAB50 90° Bend
Round Handrail - 50mm HRA50				

	 HRA40x40 Handrail	 WC40x40 Wall Cap	 EC40x40 End Cap	 SC40x40 180° Connector	 HRAB40x40 90° Bend
Square Handrail - 40x40mm HRA40x40					

	 HRA50x50 Handrail	 WC50x50 Wall Cap	 EC50x50 End Cap	 SC50x50 180° Connector	 HRAB50x50 90° Bend
Square Handrail - 50x50mm HRA50x50					

	 HRA38x38 Handrail	 WC38x38 Wall Cap	 EC38x38 End Cap	 HRAMB38x38 Smooth Bend	 HRAB38x38 90° Connector	 SC38x38 180° Connector
Handrail - 38x38mm HRA38x38						

	 HRA45x45 Handrail	 WC45x45 Wall Cap	 EC45x45 End Cap	 HRAMB45x45 Smooth Bend	 HRAB45x45 90° Connector	 SC45x45 180° Connector
Handrail - 45x45mm HRA45x45						

	 HRA60x45 Handrail	 WC60x45 Wall Cap	 EC60x45 End Cap	 HRAB60x45 90° Connector	 SC60x45 180° Connector
Diamond Handrail - 60x45mm HRA60x45					

Note: Available Handrail size: 16 ft & Glass Thickness: 12 to 17.52

All sizes are mentioned in mm

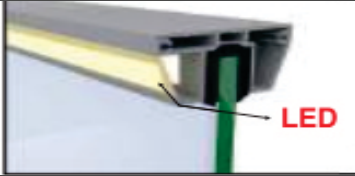
Available Finishes

Silver	Black	Wooden	Grey



Corrosion Resistance
All sizes are mentioned in mm

Available Variants of Handrails



 HRA71x35-LED Handrail	 WC7 1x35 Wall Cap	 EC7 1x35 End Cap	 LS71x35 LED Defuser	 LC71x35 90° Connector	 SC71x35 180° Connector
Led Handrail - 71x35mm HRA71x35-LED					



 HRT38x82-LED Handrail	 EC38x82 End Cap	 LC38x82 90° Connector	 SC38x82 180° Connector
Led Handrail - 38x82mm HRT38x82-LED			



 HRT38x82 Handrail	 EC38x82 End Cap	 LC38x82 90° Connector	 SC38x82 180° Connector
Taper Handrail - 38x82mm HRT38x82			



 WC25x25 wall Cap	 EC25x25 End Cap	 HRAMB25x25 Smooth Bend	 HRAB25x25 90° Connector	 SC25x25 180° Connector
U Channel - 25x25mm UCA25x25				



 HRA64x44 Handrail	 WC64x44 Wall Cap	 HRAB64x44 90° Bend	 EC64x44 END CAP	 SC64x44 180° Connector
Rectangle Handrail - 64x44mm HRA64x44				



 HRO65x40 Handrail	 WC65x40 Wall Cap	 EC65x40 End Cap	 LC65x40 90° Connector	 SC65x40 180° Connector
Oval Handrail - 65x40mm HRO65x40				

Note: Available Handrail size: 16 ft Glass Thickness: 12 to 17.52

All sizes are mentioned in mm

Available Finishes

Silver	Black	Wooden	Grey





SRJ ENGINEERING AND TRADING
WE SRJ MAKING DREAM COME TRUE



Our
Clientele



OUR GROUP COMPANIES

AGM Fab India Pvt. Ltd.
AGM Fab L.L.C.-FZ - Dubai
AGM Metal Industries
Montex Trading Company
Montex Tubes Industries - Mumbai
Bhavya Constructions
Bhavya Contracting & Building Works LLC - Dubai



Meydan Grandstand, 6th floor, Meydan Road,
Nad Al Sheba, Dubai, U.A.E

3/4, Rangaiah Building, Chokkasandra Main Road,
T.Dasarahalli, Bangalore- 560057 - India

sales@agmfab.in

+91 988682 1598

+971 56 349 1598

www.agmfab.in

